



**I Applications**

The Estampinox EFN pump is a centrifugal stainless-steel pump suitable for motor assembly according to the USA NEMA standards. It is designed to cater for the needs of all the auxiliary services in the food-processing, chemical, pharmaceutical, and wine-making industries, among others.

**I Operating principles**

Housed inside the casing, the impeller rotates in conjunction with the pump shaft. With this arrangement, the impeller blades convey energy to the fluid in the form of kinetic energy and pressure energy. This pump is not reversible by simple reversal of the direction of rotation. The direction of rotation is clockwise when the pump is viewed from the rear side of the motor.

**I Design and features**

- Casing manufactured with cold-formed plate.
- Clamp connections (standard)
- Open impeller manufactured with stainless steel cold-formed plate or investment casting (according to model).
- Inside mechanical seal.
- Simple parts and easy maintenance



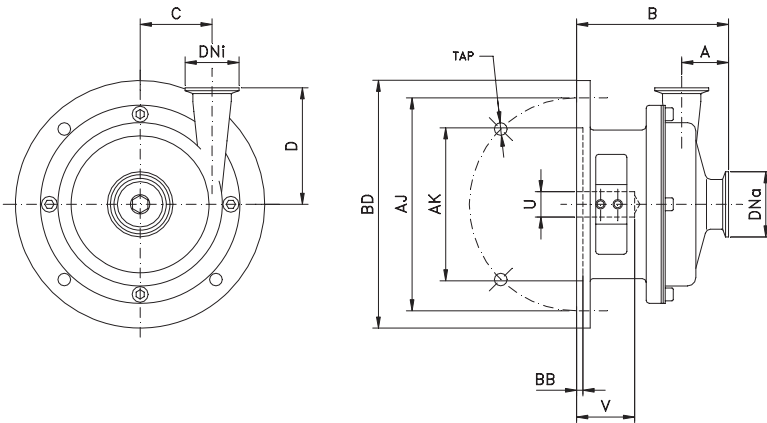
**I Materials**

- |                                     |                 |
|-------------------------------------|-----------------|
| Parts in contact with pumped media: | AISI 316L       |
| Gaskets (standard)                  | VMP (Silicone)  |
| Mechanical seal (standard)          | Cer/ C /NBR     |
| Lantern                             | GG-15           |
| Surface Finishing                   | Electropolished |

**I Options**

- Seal in C/St.St TgC/TgC
- Gaskets in EPDM, FPM (Viton®) or PTFE.
- Trolley and / or electric panel.
- Stainless steel motor





EFN-2003		56C	1"	1"	52	167	36	106	15,88	55	149,2	114,3	4	168	11
	B	143/145TC								22,23					
EFN-2107	A	56C	1½"	1½"	54	159	50	105	15,88	55	184,2	215,9	6	230	14
	B	143/145TC								22,23					
EFN-2222	B	143/145TC	1½"	1½"	54	166	66	122	28,58	75	184,2	215,9	6	230	14
EFN-2222A	C	182/184TC													
EFN-2340	C	182/184TC	2"	2"	54	190	92	156	34,93	88	184,2	215,9	6	230	14
EFN-2340B	D	213/215TC													
EFN-2355	C	182/184TC			54	190	92	156	28,58	75	184,2	215,9	6	230	14
EFN-2355A	D	213/215TC													